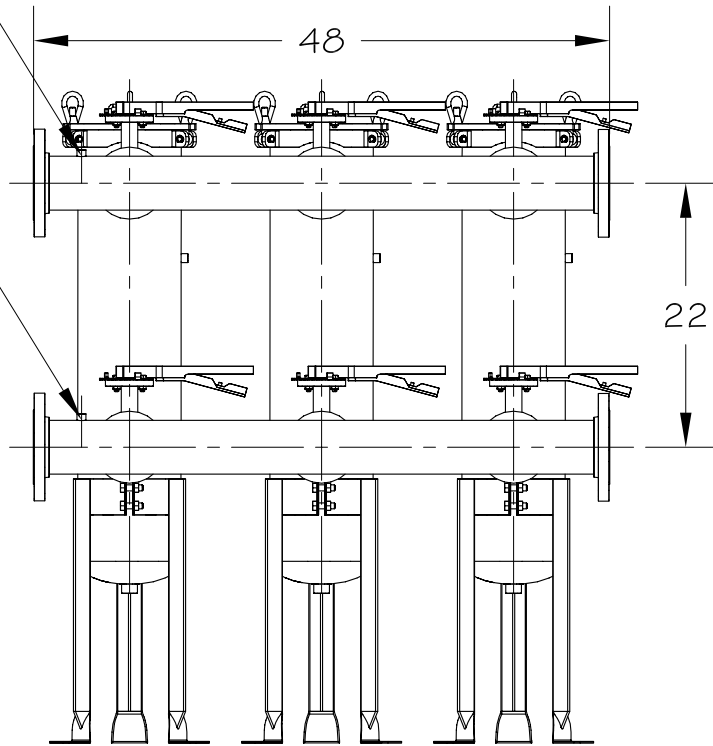


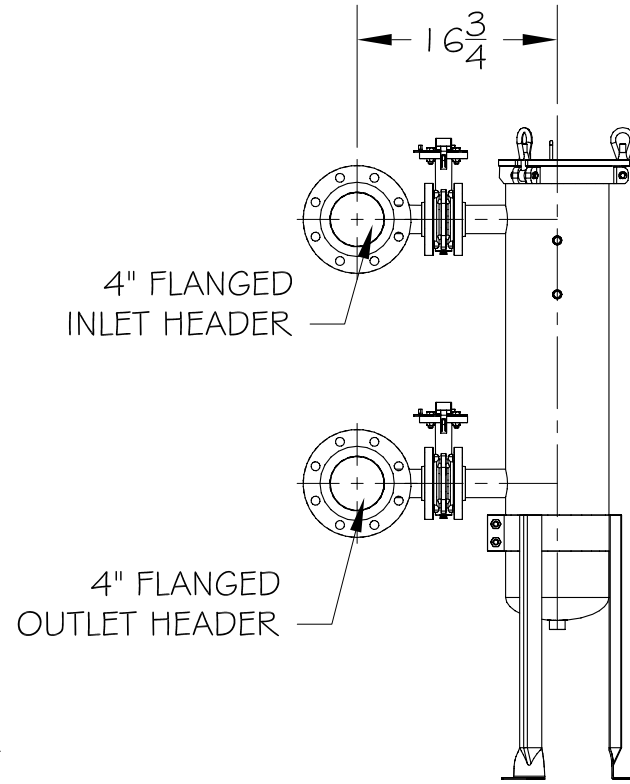
TOP VIEW

1/4" NPT(F)  
GAUGE PORT

1/4" NPT(F)  
GAUGE PORT



FRONT VIEW



4" FLANGED  
INLET HEADER

4" FLANGED  
OUTLET HEADER

SIDE VIEW

**CSD**

**CUSTOM  
SERVICE &  
DESIGN INC.**

MATERIAL :

DESCRIPTION:

**08 SINGLE BAGS WITH  
COMMON HEADERS  
DIMENSIONAL DRAWING**

DRN. 1J1  
DATE 2/3/09

CHK'D

DATE

SCALE 1 TO 16

PART NO.

**ML803303L040F3\*\***

TOLERANCE  
FRAC ± 1/4  
.000 ± .005  
.0000 ± .0005

NOTICE: SCALE ON "A" SIZE PLOTS ONLY