



CUSTOM SERVICE & DESIGN, INC.
AUBURN HILLS, MI

Phone: 248.340.9005
Fax: 248.340.9002

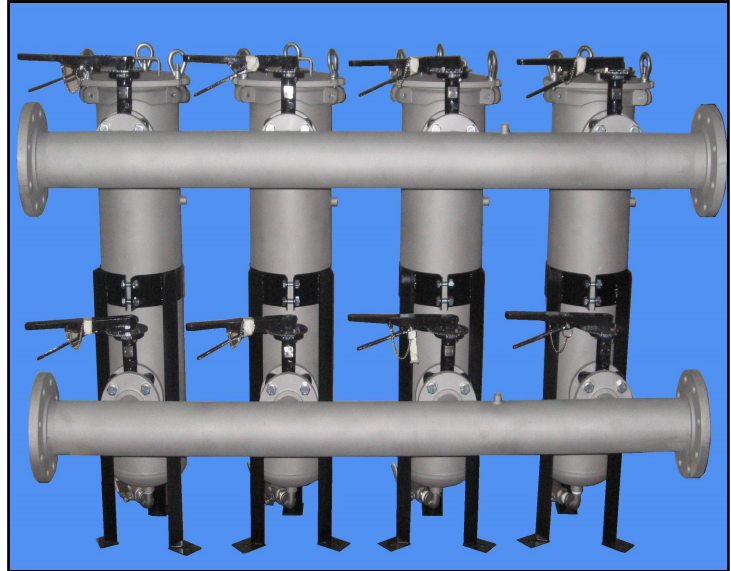
www.customserviceanddesign.com

MULTIPLEX ASSEMBLY SPECIFICATION
BULLETIN: MP-14

MULTIPLEX DESIGN

CSD OFFERS A COMPLETE LINE OF FILTRATION VESSEL DESIGNS SETTING NEW STANDARDS IN THE INDUSTRY. THE **MULTIPLEX** DESIGN IS A COST EFFECTIVE ALTERNATIVE TO MULTIBAG VESSELS WITH THE FOLLOWING ADDITIONAL BENEFITS: VESSEL ISOLATION ALLOWS FOR BAG CHANGE-OUT WITHOUT SERVICE INTERRUPTION, PLUMBING FLEXIBILITY, AND SMALLER FOOTPRINT.

CSD's STATE-OF-THE-ART VESSELS OFFER FILTRATION SOLUTIONS TO A VARIETY OF INDUSTRIES AND APPLICATIONS. BAG HOUSING DESIGNS EFFECTIVELY REMOVE DIRT AND OTHER CONTAMINANTS FROM PROCESS LIQUIDS OFFERING PARTICULATE REMOVAL FROM 1 THRU 800 MICRON, LOW DIFFERENTIAL PRESSURE DROPS AND COST EFFECTIVE CLEAN FLUIDS.



APPLICATIONS:

CHEMICAL PROCESS
COATINGS & PAINT
COOLING TOWER

DI / RO WATER
ENVIRONMENTAL / GROUND REMEDIATION
FOOD & BEVERAGE

MANUFACTURING / INDUSTRIAL
PHARMACEUTICAL
POWER GENERATION

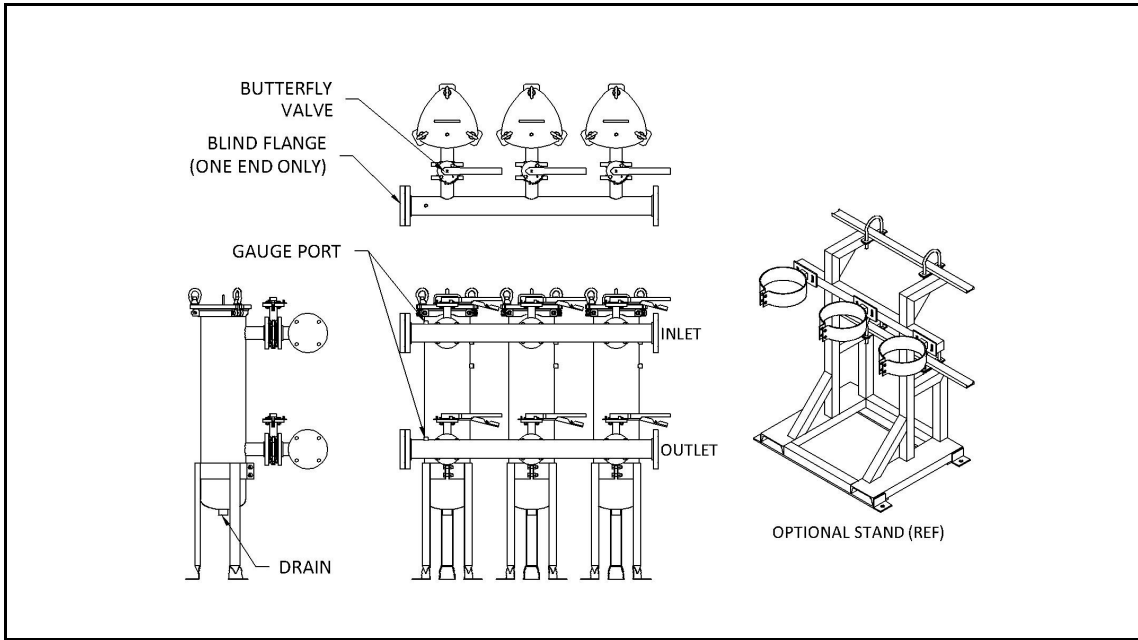
STANDARD FEATURES:

- ⇒ 2 OR MORE VESSELS WITH COMMON HEADERS
- ⇒ CARBON STEEL, 304 & 316 STAINLESS STEEL
- ⇒ CONTINUOUS FLOW RATES
- ⇒ MINIMAL PRESSURE DROP
- ⇒ MANUAL INDEPENDENT CONTROLS
- ⇒ BUTTERFLY VALVES
- ⇒ 150 PSI
- ⇒ OUTLETS AVAILABLE: BOTTOM, OPPOSITE OR SAME SIDE
- ⇒ FLANGED CONNECTIONS
- ⇒ VENT, GAUGE, DRAIN PORTS
- ⇒ BUNA SEALS / SEATS
- ⇒ ADJUSTABLE CARBON STEEL TRIPOD LEGS

OPTIONS:

- ⇒ SEVERAL VESSEL MODELS AVAILABLE
- ⇒ SEAL / SEAT MATERIAL: EPDM, VITON, TEFLON ENCAPSULATED VITON
- ⇒ MESH LINED RESTRAINER BASKETS
- ⇒ INLET / OUTLET LOCATION
- ⇒ HIGHER PRESSURE RATING
- ⇒ DRAIN PACKAGE
- ⇒ GAUGE PACKAGE
- ⇒ DIFFERENTIAL PRESSURE SWITCH / GAUGE / ALARM OPTION
- ⇒ MULTIPLEX STAND
- ⇒ FORKABLE DRIP PAN BASE





VESSEL MODELS FOR INDIVIDUAL VESSEL FEATURES, SEE VESSEL DESIGN BULLETIN	07A3L, 07A4L, L083L, 083L, LL83L
BAG SIZES	INDUSTRY STANDARD BAGS
BASKET MATERIAL	STAINLESS STEEL WITH 9/64" PERFORATION
CONNECTION SIZE	2", 3", 4", 6", 8"
CONNECTION STYLE	FLANGED
INLET / OUTLET LOCATIONS	OUTLETS AVAILABLE: BOTTOM, OPPOSITE SIDE, SAME SIDE
SEALS / SEATS	BUNA, EPDM, VITON, TEFLON ENCAPSULATED VITON
CONSTRUCTION / FINISH	CARBON STEEL W/ STANDARD EXTERIOR FINISH; STAINLESS STEEL W/ BEAD BLAST SATIN FINISH
PRESSURE RATING	100, 150, OR 300 PSI @ 300° F
ADDITIONAL PORTS	ONE 0.25" (F) NPT GAUGE PORTS PER HEADER
OPERATION	MANUAL CONTINUOUS OPERATION

BUILD A CSD PART NUMBER

M	08	03	30	3L	040	F	2	B	C
TYPE	VESSEL SIZE	# OF BASKETS / ELEMENTS	ELEMENT LENGTH	# OF LUGS	CONNECTION SIZE	CONNECTION STYLE	OUTLET LOCATION	SEALS	MATERIAL OF CONSTRUCTION

*** For specific vessel dimensional cut sheets, call factory or consult website***



CUSTOM SERVICE & DESIGN, INC.
AUBURN HILLS, MI

PHONE: 248.340.9005
FAX: 248.340.9002

www.customserviceanddesign.com

